

\*\*\*\*\* THIS DRAWING AND ITS CONTENTS ARE THE SOLE PROPERTY OF PRECISION CONNECTOR INC. AND ARE SUBJECT TO CHANGE WITHOUT NOTICE UNLESS OTHERWISE SPECIFIED \*\*\*\*\*

REV.	DESCRIPTION	DATE	BY	APPVD
A	INITIAL RELEASE	01/24/08	MJX	MJX
B	ADDED HEAT TREAT TO MATERIALS NOTE	01/28/08	MJX	MJX

NOTES :

1.0 MATERIALS:

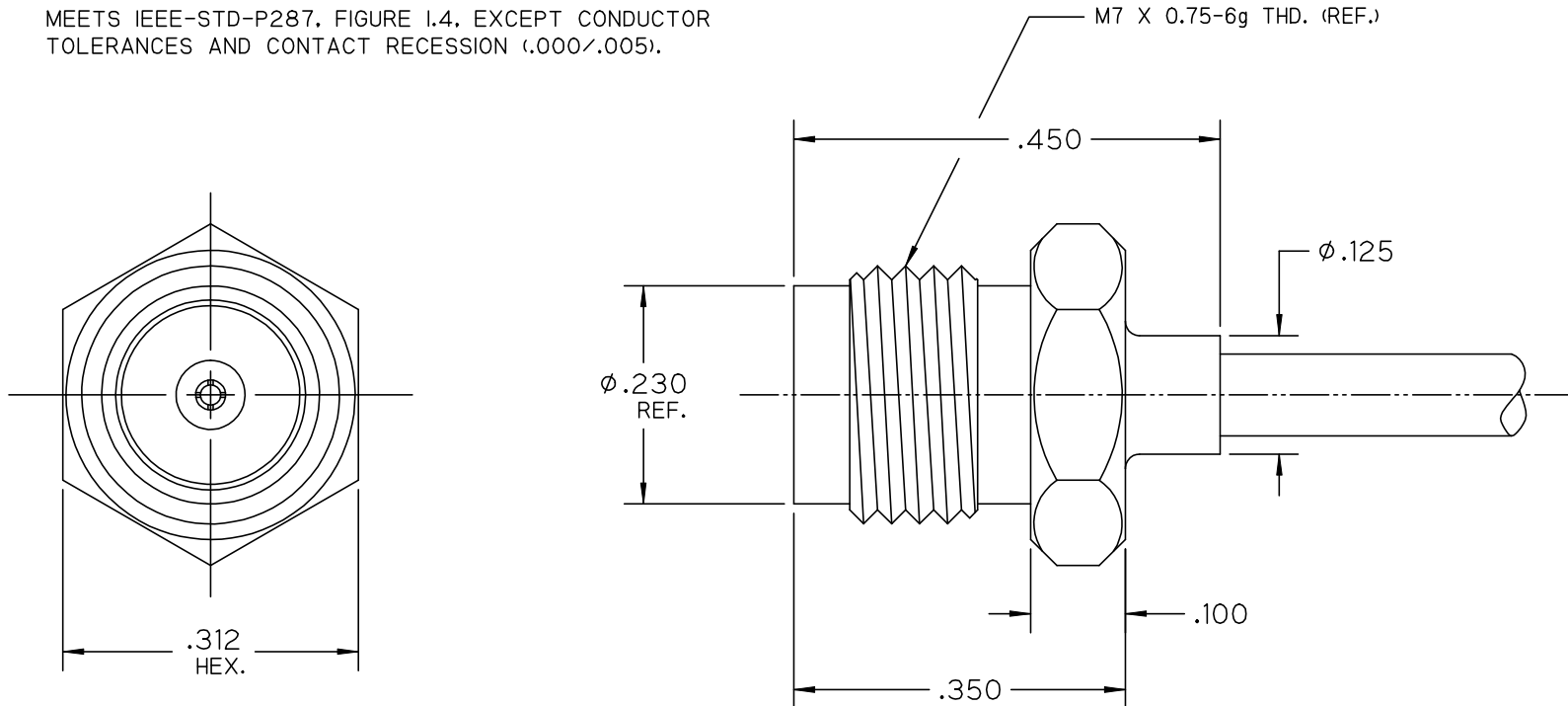
1.1 BODY & CENTER CONTACT: BERYLLIUM COPPER PER ASTM-B196, UNS NO. C17300. HEAT TREATED TO CONDITION TD04(HT).

2.0 FINISH:

2.1 BODY & CENTER CONTACT: GOLD PLATE PER ASTM-B488, 50 MICROINCHES MIN. THK. OVER ELECTROLYTIC NICKEL PLATE PER ASTM-B689, 50 MICROINCHES MIN. THK.

3.0 INTERFACE: 1.85mm SOCKET PER PCI-1.85mm-SOCKET. MEETS IEEE-STD-P287, FIGURE I.4, EXCEPT CONDUCTOR TOLERANCES AND CONTACT RECESSION (.000/.005).

NOTE: EQUIVALENT TO ANRITSU V101F



TOLERANCES UNLESS OTHERWISE SPECIFIED	DRAWN BY: MJX	PART DESCRIPTION:			
.XX ± .02	DATE: 01/24/08	1.85mm JACK FOR RG-405 CABLE			
.XXX ± .005	CAGE CODE	SCALE	SHEET NO.	DRAWING NUMBER	REV
.XXXX ± .0005	<b>4MJR5</b>	5:1	1 OF 1	3231-0L	B
ANGLES ± 2°					