

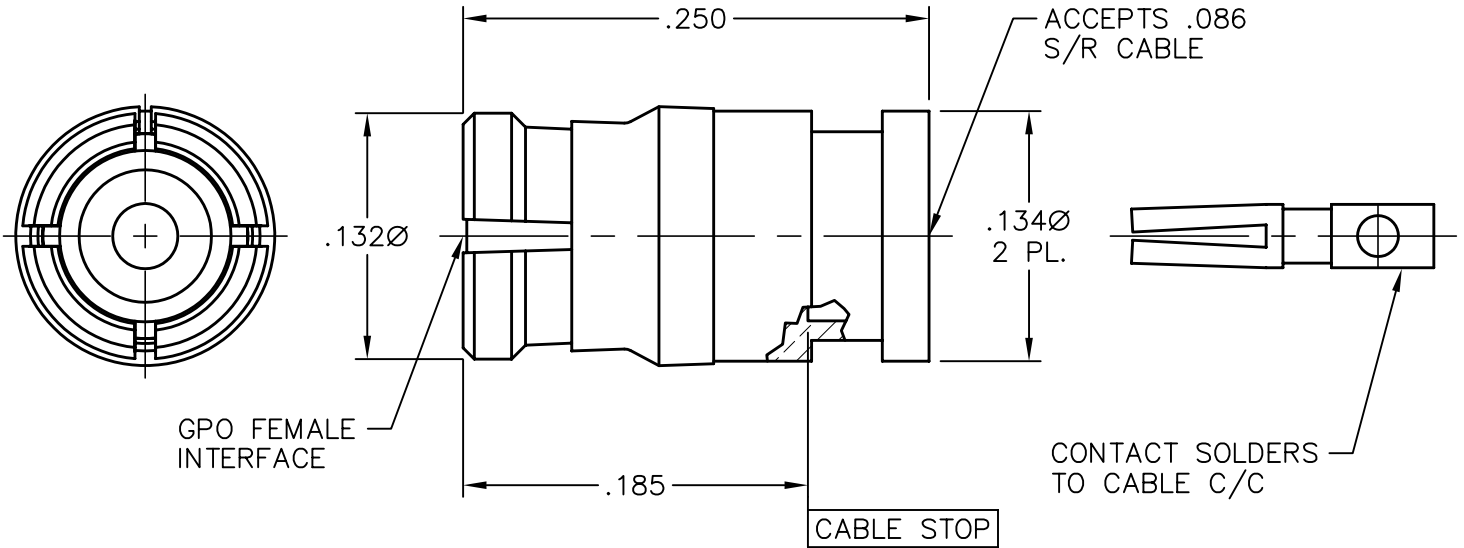
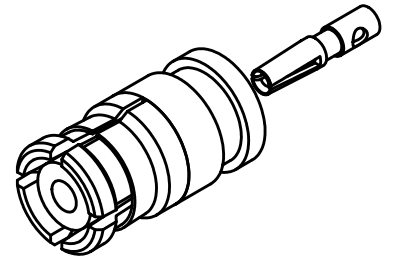
CATALOG NUMBER

A014-D11-01

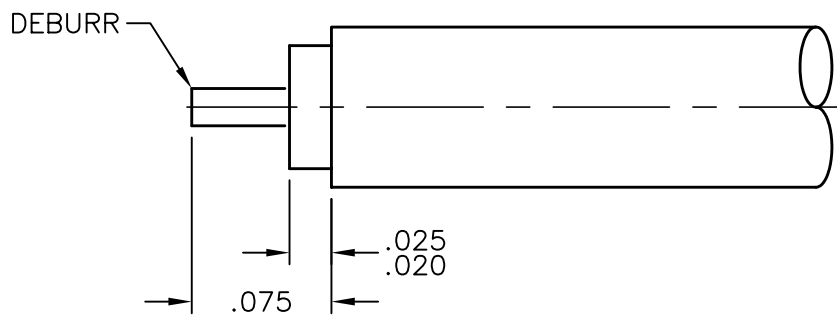
MATERIAL AND FINISH

CENTER CONTACT,  
HOUSING, AND  
ANTI-ROCK/EMI RING,  
DIELECTRIC:

BeCu; GOLD PLATE 50-100 MICROINCHES  
OVER NICKEL PLATE 50 MICROINCHES MIN.  
  
VIRGIN PTFE (TEFLON)



CABLE PREPARATION



This drawing and any data contained herein is the property of Corning Gilbert Inc., and constitutes and contains proprietary and confidential information. Neither receipt nor possession of this drawing confers or transfers any right to duplicate, use or disclose any information contained herein except as expressly authorized by Corning Gilbert Inc.

GPO FEMALE STRAIGHT  
TO .086 S/R CABLE  
SOLDER ATTACH C/C

IDENT CODE:

82316

REVISION: L

Corning Gilbert Inc.

SOURCE FILE: MECR# 2125

DWG. NO.:

OL-A014-D11-01

ASSY. PROC.: AP01-114